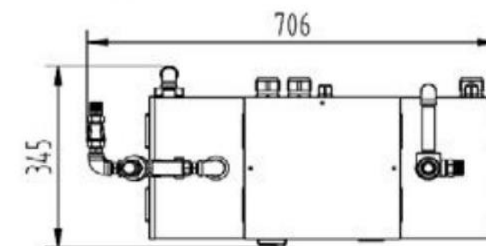
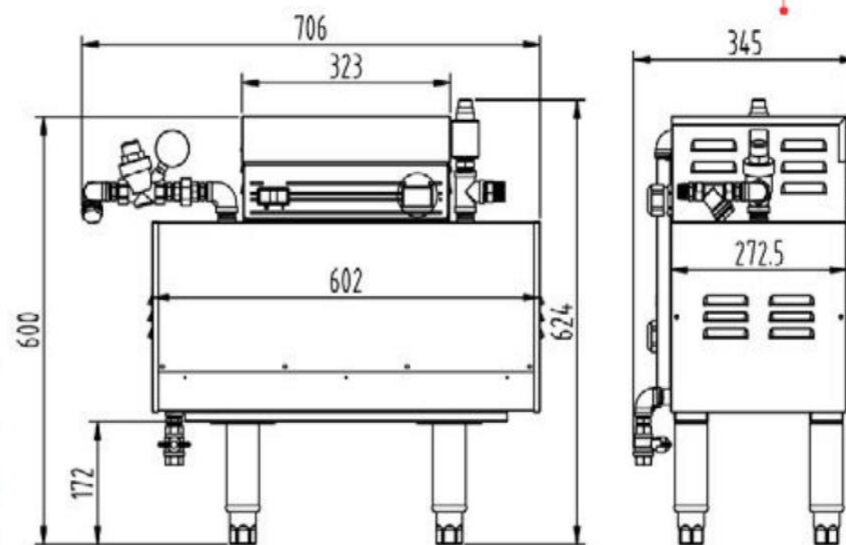
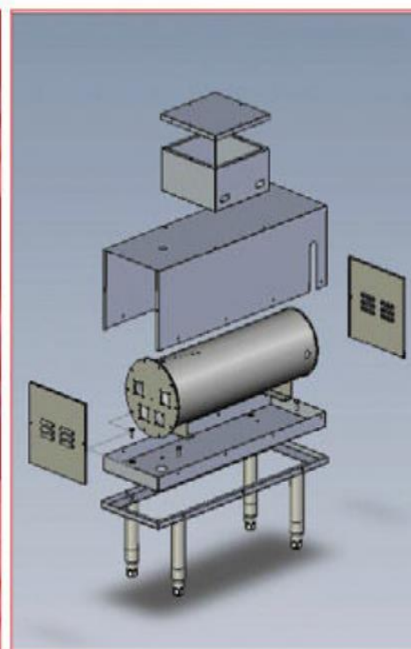
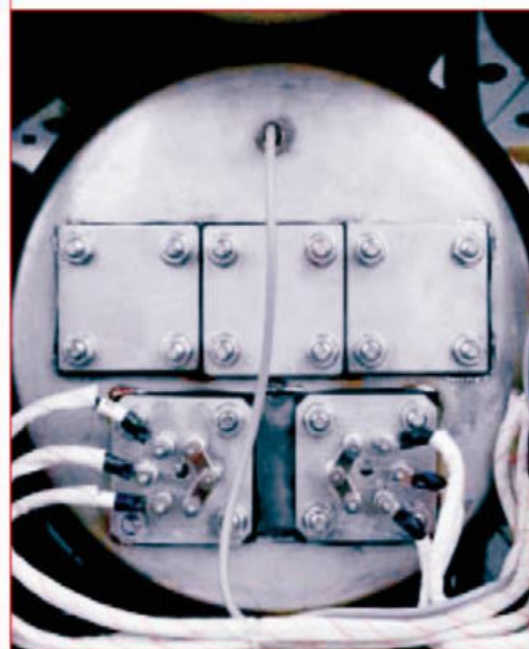
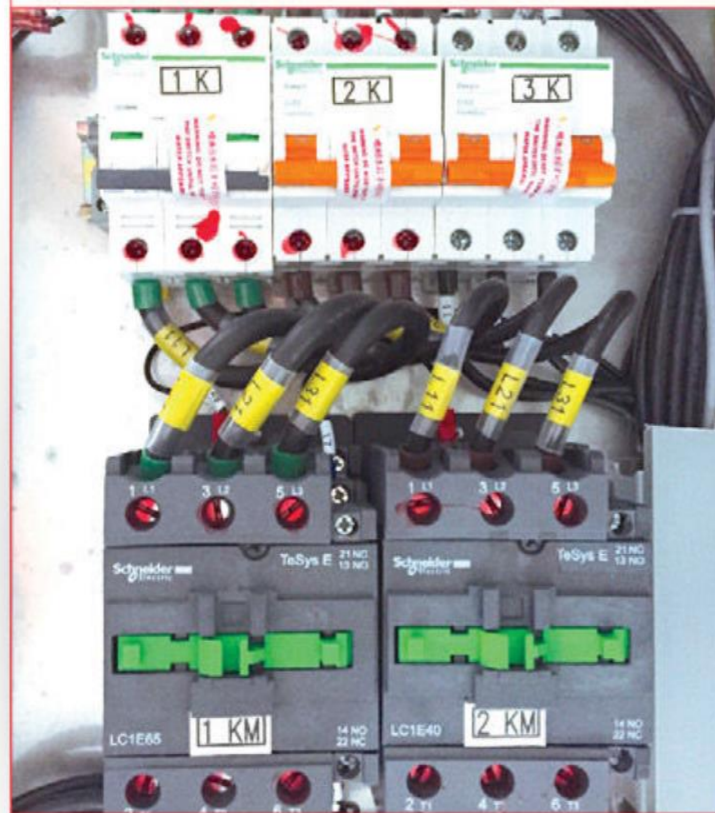


GT-BH 9, 18, 27, 36, 45



EXTERNAL BOOSTER HEATER

GT-BH9, 18, 27, 36, 45



Characteristics

- Dual thermal control ▶ Ensure accurate temperature
- Mechanical temp. display ▶ Easy to read
- Mechanical circuit control ▶ Minimizes down time & repair cost
- Built-in pressure relief valve ▶ Ensure safety
- All stainless steel components ▶ Durable & reliable

Technical Data

GT-BH9, 18, 27, 36, 45

| | |
|-----------------------------|---|
| Auto fill | Yes |
| Booster tank capacity | 21 ltr |
| Booster heater weight | 35 kg |
| Standard height (AFF) | 172mm |
| In-coming water pressure | 15-45psi |
| In-coming water temperature | 10-60C |
| Out-going water temperature | 30-95C |
| Wall clearance | Min. 100 mm |
| Wall mount height | Min. 250 mm |
| Electrical loading | 1x9kW/12.5A 2x9kW/25A 3x9kW/37.5A 4x9kW/50.0A 5x9kW/62.5A |
| Powersupply | 415V/50Hz/3Phase |
| Dimension | W706mmxD345mmxH624mm |
| Booster heater | From 1 x 9 kW to 5 x 9 kW |